

HOBART



**GW600 / GW601
GW600S /GW601S**

**SPARES MANUAL
1992 ONWARDS**

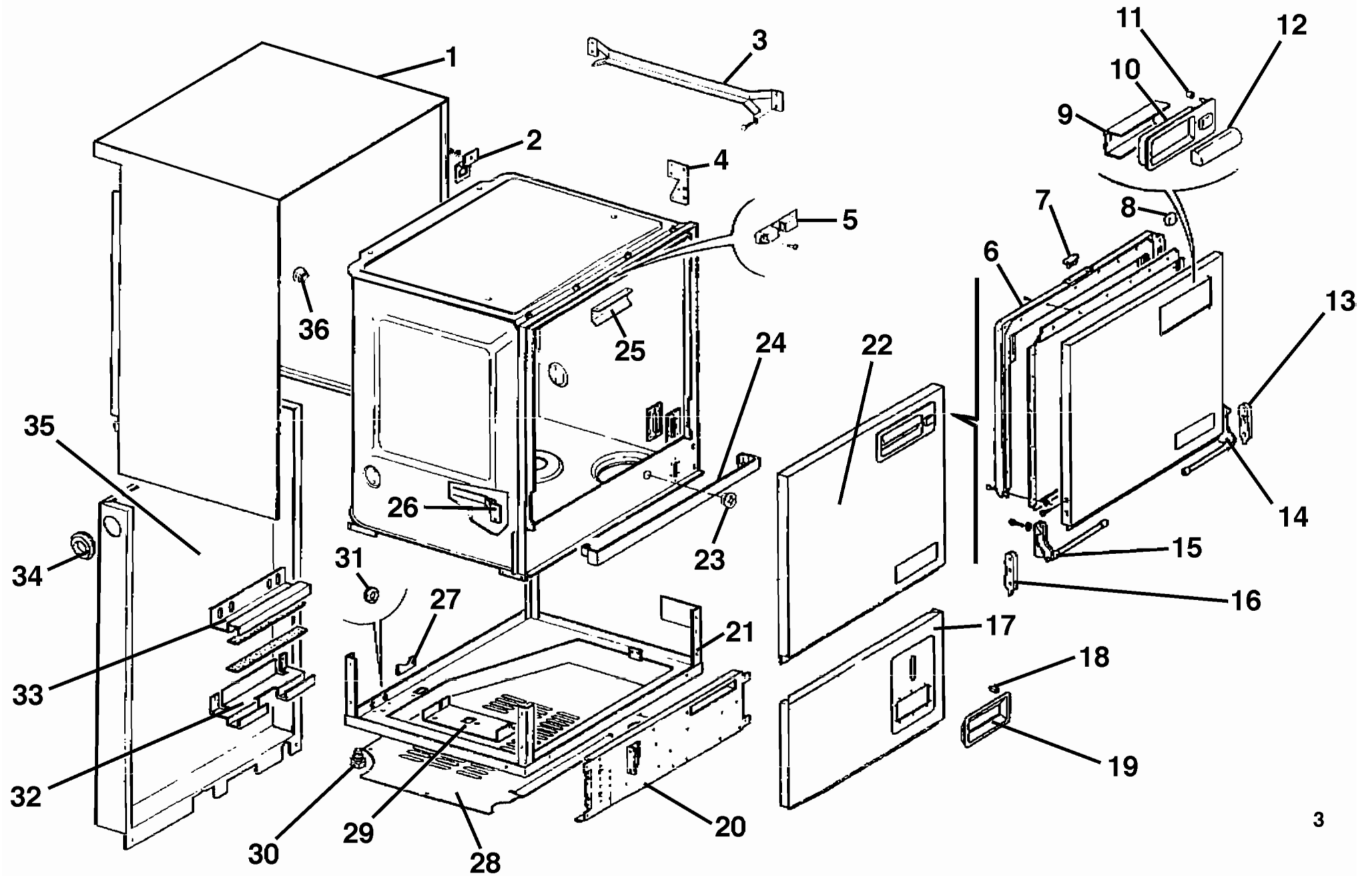




GW600-S / GW601-S

INDEX

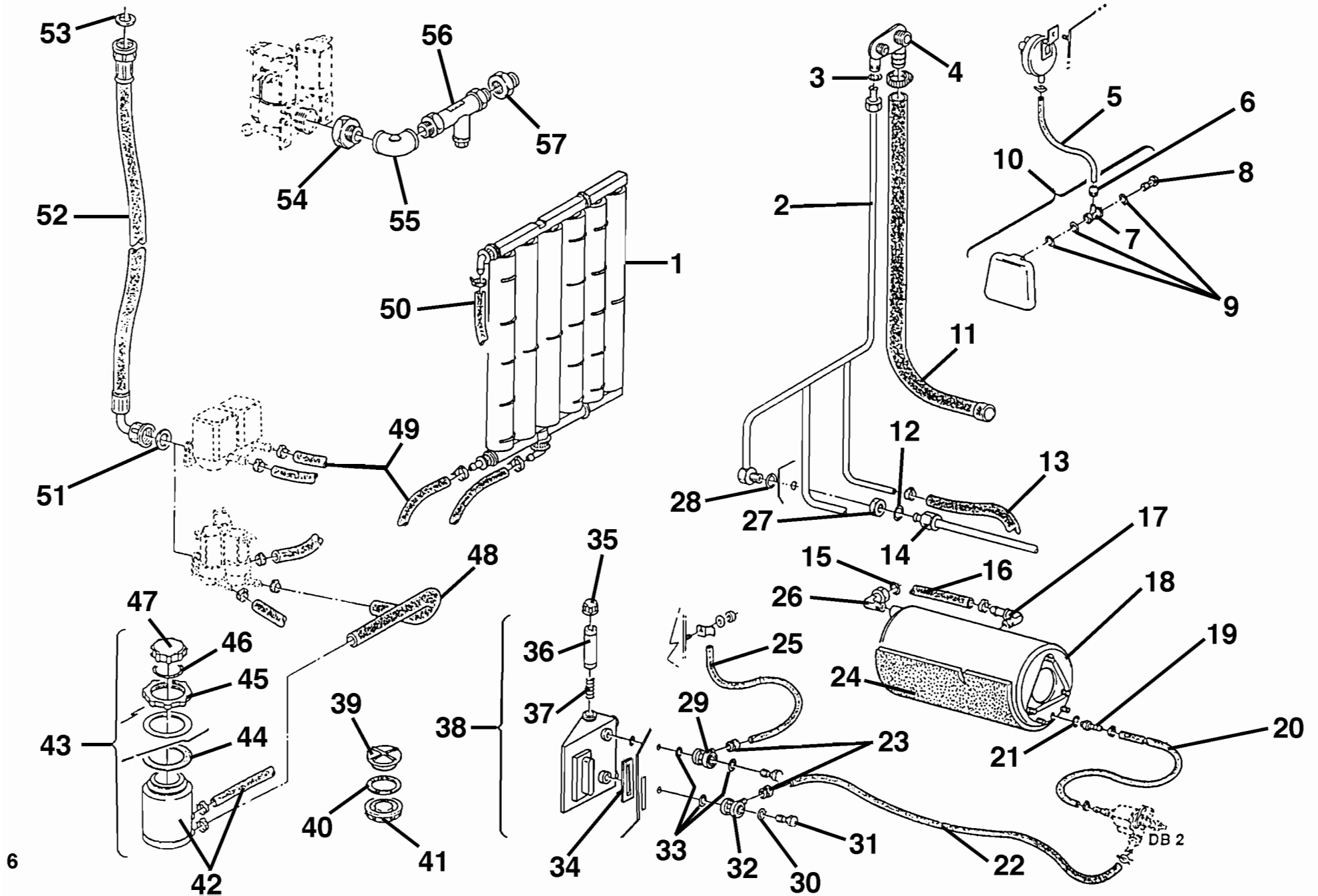
CASING & DOOR	3
PIPEWORK	6
WASH & DRAIN	10
ELECTRICAL	14
WASH PUMP	17
DRAIN & BOOSTER PUMP	19





GW600-S / GW601-S (Casing & Door)

1	139321-357	EXTERNAL PANEL (GW600)
	139321-358	EXTERNAL PANEL (VDE)
2	139321-370	BRACKET (PRESSURE SWITCH)
3	139321-255	RACK TRACK
4	139321-376	BRACKET (MICRO-SWITCH)
5	139321-24	LATCH DOOR
6	139321-210	SEAL DOOR (GW601)
	139321-144	SEAL DOOR (GW600)
7	139321-25	LATCH-DOOR
8	139321-432	MAGNET
9	139321-???	(03 30 58) BRACKET
10	139321-227	DOOR HANDLE
11	139321-220	BASE FIXING SPRING
12	139321-433	HANDLE
13	139321-268	PIVOT PLATE (RIGHT)
14	139321-266	DOOR HINGE (RIGHT)
15	139321-267	DOOR HINGE (LEFT)
16	139321-269	PIVOT PLATE (LEFT)
17	139321-344	MAGNET CONTACT + CBL
18	139321-220	BASE FIXING SPRING
19	139321-241	SWITCH MOULDING (3 WAY)
	139321-199	SWITCH MOULDING (4 WAY)
20	139321-367	ELEC COMP PANEL





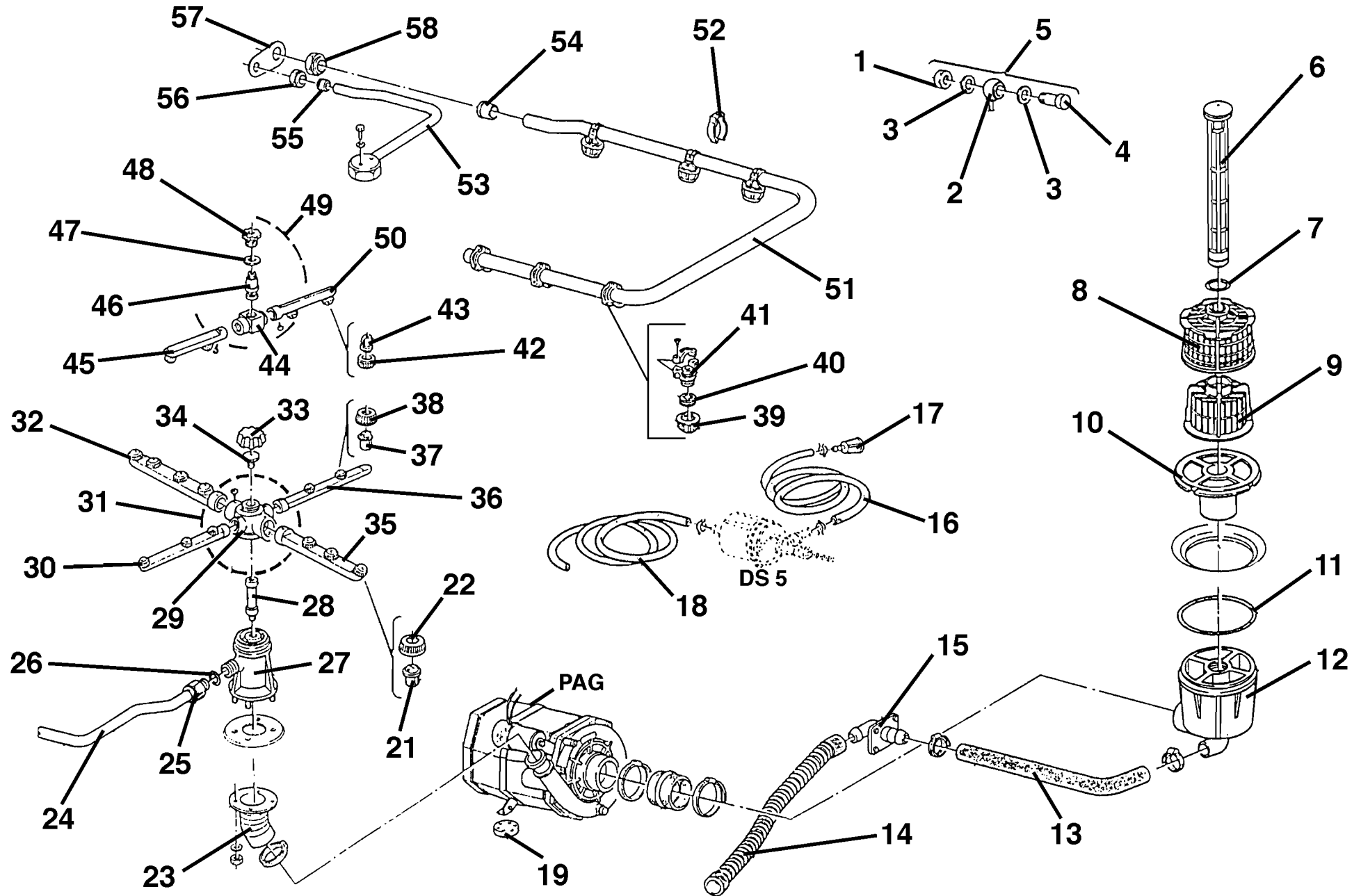
GW600-S / GW601-S PIPEWORK

1	139321-253	SOFTENER (6 COLUMN)
2	139321-???	RINSE PIPEWORK ASSY
3	139321-175	"O" RING
4	139321-132	MANIFOLD WASH RINSE
5	139321-136	TUBING (4mm X 7mm)
6	139321-75	NIPPLE (FOR RINSE)
7	139321-202	CONN PRESS BELL (BRASS)
8	139321-180	HOLE SCREW
9	139321-178	"O" RING
10	139321-47	PRESSURE SW BELL ASSY
11	139321-162	SUPPLY HOSE
12	139321-175	"O" RING
13	139321-125	HOSE (10mm x 17mm)
14	139321-417	NUT CONNECTION
15	139321-412	"O" RING
16	139321-125	HOSE (10mm x 17mm)
17	139321-379	IN / OUT RIGHT-ANGLE PIPE
18	139321-426	BOILER ASSY (VDE)
19	139321-413	CABLE STOP
20	139321-127	HOSE (5mm x 11mm)
21	139321-407	GASKET
22	139321-126	TUBING (4mm x 7mm)
23	139321-75	NIPPLE (FOR RINSE)



GW600-S / GW601-S PIPEWORK

24	139321-115	COVER (INSULATION)
25	139321-126	TUBING (4mm x 7mm)
26	139321-422	HOSE G3/8 x 12M)
27	139321-405	NUT (G1/2 CH22)
28	139321-173	GASKET
29	139321-202	CONN PRESS BELL (BRASS)
30	139321-178	"O" RING
31	139321-180	HOLE SCREW
32	139321-202	CONN PRESS BELL (BRASS)
33	139321-178	"O" RING
34	139321-155	GASKET
35	139321-48	CAP (RINSE AGENT)
36	139321-153	FILTER TUBE (RINSE AID)
37	139321-154	SPRING
38	139321-183	RINSE AID ASSY
39	139321-123	CAP BLANKING
40	139321-194	RUBBER GASKET
41	139321-217	SALT RESVR RING
42	139321-302	SALT RESERVOIR
43	139321-301	SALT CONTAINER ASSY
44	139321-194	RUBBER GASKET
45	139321-193	LOCKNUT (SALT RESVR)
46	139321-192	"O" RING





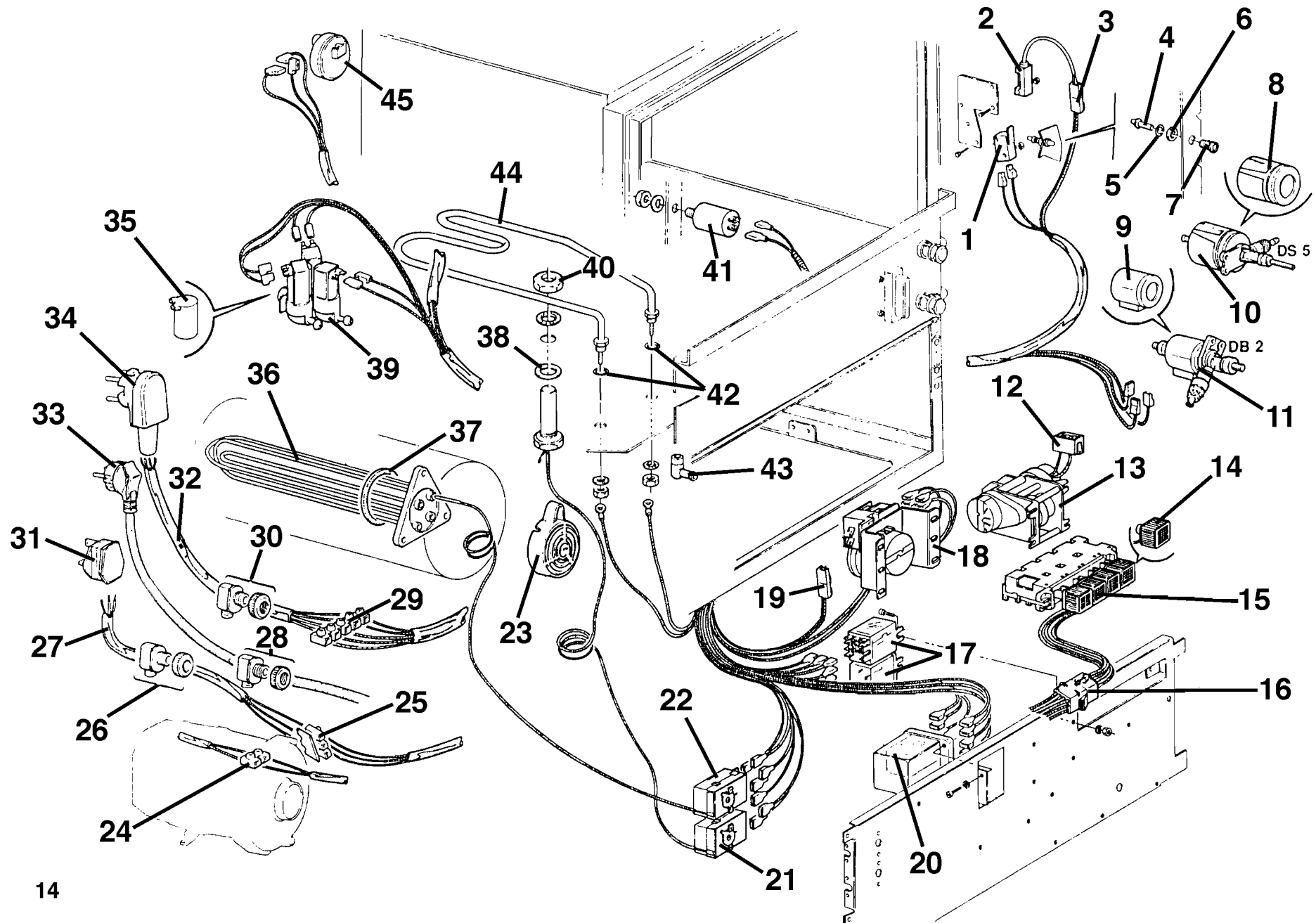
GW600-S / GW601-S WASH & DRAIN

1	139321-335	CONNEVTION (DETERGENT NUT)
2	139321-334	INLET CONNECTION (DETERGENT DISP)
3	139321-118	COPPER GASKET
4	139321-332	DETERGENT INLET CONNECTION
5	139321-430	DETERGENT INLET CONNECTOR ASSY
6	139321-157	OVERFLOW PIPE
7	139321-49	"O" RING DRAIN
8	139321-50	FILTER EXTERNAL
9	139321-51	FILTER INTERNAL
10	139321-158	TANK FILTER LOCKNUT
11	139321-52	"O" RING FILTER BODY
12	139321-159	DRAIN HOUSING
13	139321-160	DRAIN HOSE
14	139321-93	HOSE (25mm x 1.5M)
15	139321-161	CONNECTOR DRAIN
16	139321-???	
17	139321-???	
18	139321-???	
19	139321-163	PUMP INLET HOSE
20	139321-8	WASH PUMP (REFER PG. ??)
21	139321-32	WASH JET
22	139321-31	RETAINER WASH NOZZLE
23	139321-110	SUPPLY HOSE



GW600-S / GW601-S WASH & DRAIN

24	139321-440	"L" HOSE (MANIFOLD)
25	139321-418	NUT CONNECTION
26	139321-175	"O" RING
27	139321-111	MANIFOLD (LOWER WASH)
28	139321-113	BEARING PIN
29	139321-35	BODY LOWER WASH ARM
30	139321-30-1	LOWER RINSE ARM (3 HOLE / RIGHT)
31	139321-112	LOWER WASH / RINSE ARM ASSY
32	139321-29-1	WASH ARM (4 HOLE / RIGHT)
33	139321-28	KNOB
34	139321-107	FIXING PAWL
35	139321-29-2	WASH ARM (3 HOLE / LEFT)
36	139321-30-2	LOWER RINSE ARM (2 HOLE / LEFT)
37	139321-34	RINSE JET
38	139321-33	RETAINER (RINSE NOZZLE)
39	139321-98	UPPER WASH JET
40	139321-97	COLLAR WASH JET
41	139321-96	COLLAR WASH JET
42	139321-33	RETAINER RINSE NOZZLE
43	139321-34	RINSE JET
44	139321-45	BODY UPPER RINSE ARM
45	139321-272	UPPER RINSE ARM
46	139321-141	BEARING PIN (UPPER RINSE ARM)





GW600-S / GW601-S

Electrical

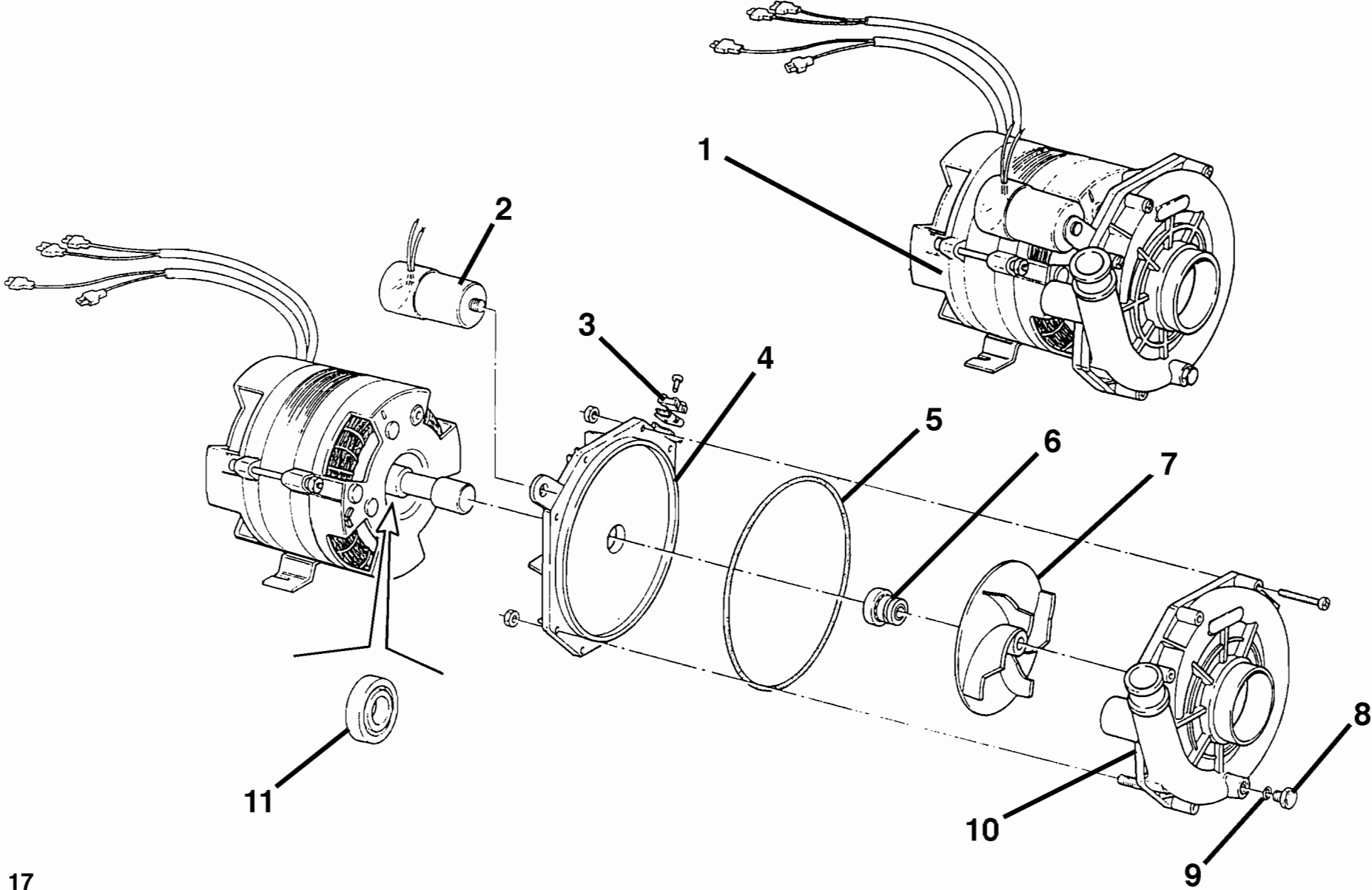
1	139321-41	MICROSWITCH (DOOR)
2	139321-344	MAGNET CONTACT + CBL
3	139321-437	CONNECTOR
4	139321-415	MICROSWITCH (EDGE)
5	139321-410	"O" RING
6	139321-406	POLE SLIDE FIXING NUT
7	139321-425	START TIP SLIDER (VDE)
8	139321-385	COIL (DS5 + CONNECTOR) VDE
9	139321-40	RINSE AID DISPENSER COIL
10	139321-428	DETERGENT DISPENSER (DS5) VDE
11	139321-427	RINSE AID DISPENSER (DB2) VDE
12	139321-438	CONNECTOR (4P)
13	139321-400	PROGRAMME / CYCLE TIMER
14	139321-228	CONTROL SWITCH
15	139321-393	PUSH BUTTON ASSY (4 WAY)
16	139321-438	CONNECTOR (4P)
	139321-439	CONNECTOR (6P)
17	139321-354	RELAY (60.62) 240.50.1
	139321-395	RELAY (60.63) 240.50.1
18	139321-225	REGEN TIMER
19	139321-437	CONNECTOR (2P)
20	139321-229	RELAY (B2) 240.50.1
21	139321-20	THERMOSTAT (TANK)
22	139321-19	THERMOSTAT (RINSE TANK)

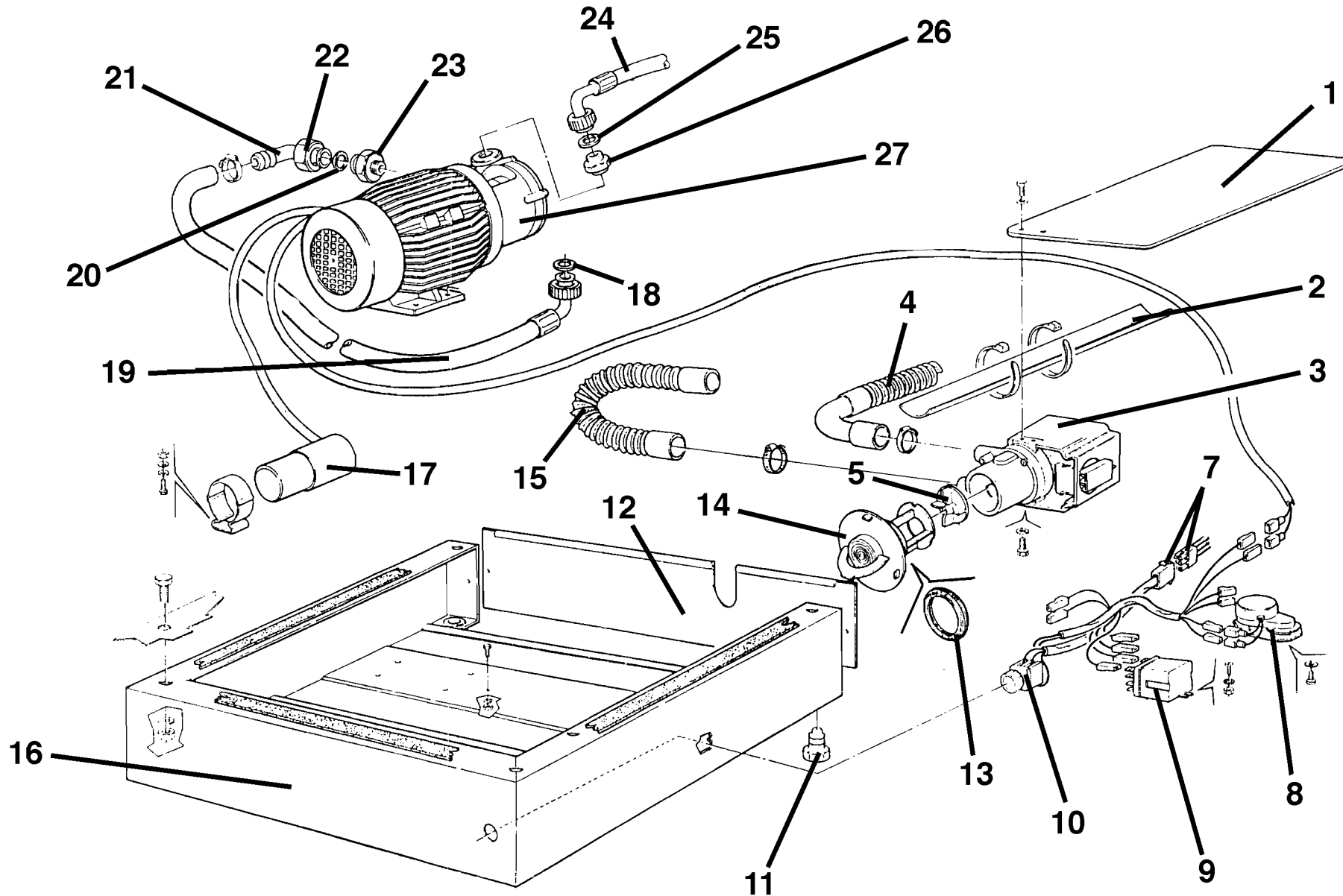


GW600-S / GW601-S

Electrical

23	139321-53	COVER (HEATING ELEMENTS)
24	139321-388	CONNECTOR
25	139321-389	CONNECTOR BOARD (3 CONTACTS)
26	139321-413	CABLE STOP
27	139321-125	WIRED SINGLE PHASE PLUG
28	139321-413	CABLE STOP
29	139321-390	CONNECTOR BOARD (5 TERMINALS)
30	139321-413	CABLE STOP
31	139321-401	PLUG (U.K. 1 PHASE)
32	139321-386	CABLE 5 WIRE 3 PHASE
33	139321-403	PLUG MONO PHASE
34	139321-402	PLUG THREE PHASE
35	139321-???	???
36	139321-397	HEATER ELEMENT (2500W . 220V)
	139321-36	HEATER ELEMENT (2700W . 240V)
37	139321-37	"O" RING (ELEMENT)
38	139321-???	GASKET
39	139321-1	SOLENOID VALVE (3-WAY)
	139321-65	SOLENOID VALVE (2-WAY)
40	139321-22	NUT (TANK THERMOSTAT)
41	139321-165	SUPPRESSOR
42	139321-408	GASKET
43	139321-???	??
44	139321-26	HEATER
45	139321-23	PRESSURE SWITCH



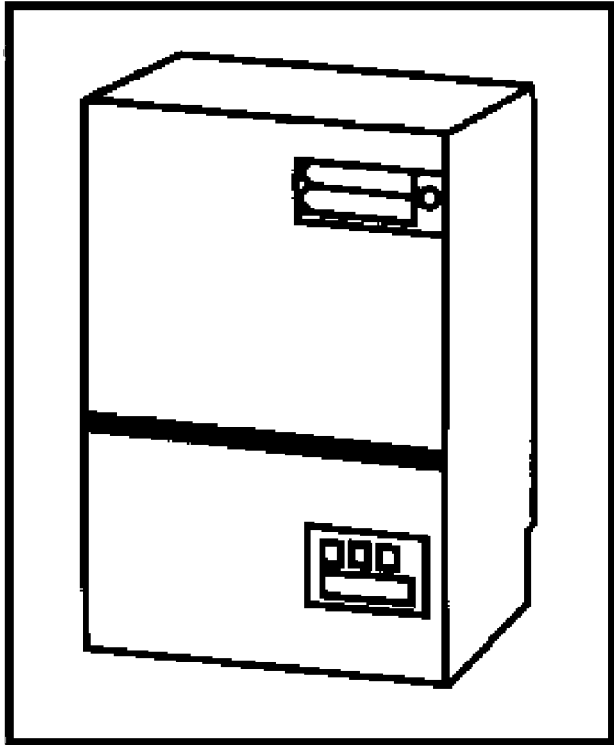




GW600-S / GW601-S Drain & Booster

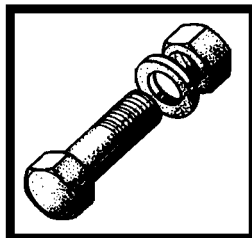
1	139321-???	PLATE
2	139321-348	COVER KIT (DRAIN PUMP)
3	139321-349	DRAIN PUMP (220 / 240.50.1)
4	139321-???	PIPE
5	139321-352	IMPELLOR
6	139321-???	CABLE
7	139321-???	CONNECTOR
8	139321-355	TIMER
9	139321-354	RELAY (60.62) 240.50.1
10	139321-281	SWITCH (DRAIN PUMP)
11	139321-108	FOOT (ADJUSTABLE)
12	139321-???	PANEL
13	139321-353	GASKET (DRAIN PUMP)
14	139321-347	FILTER (DRAIN PUMP)
15	139321-345	HOSE
16	139383	BASE UNIT (110mm HIGH)
17	139321-9	CAPACITOR (8mF)
18	139321-???	GASKET
19	139321-92	WASTE INLET HOSE (3/4")
20	139321-???	GASKET
21	139321-299	CONNECTOR
22	139321-300	NUT

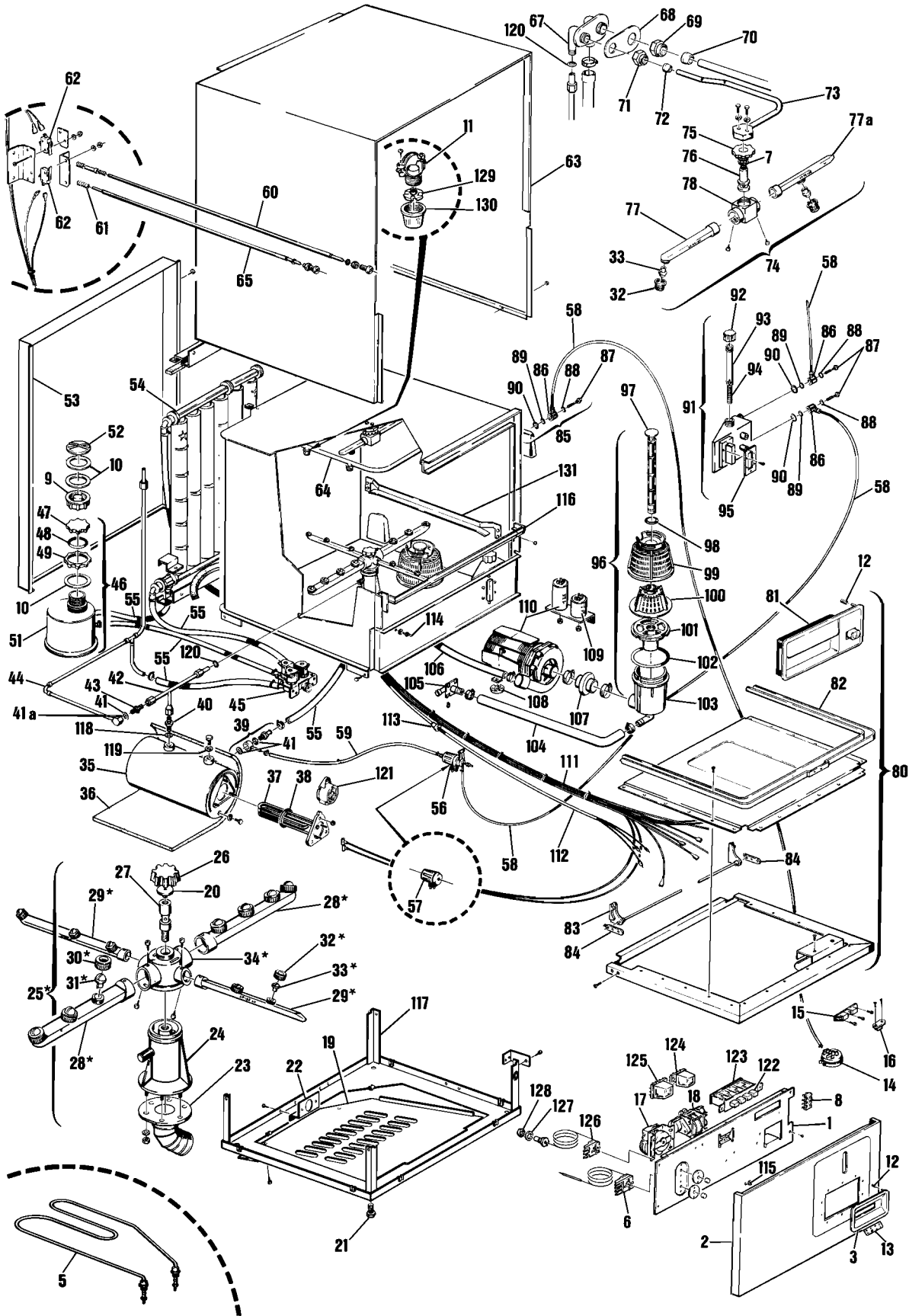
HOBART



GW-600/600 S
GW-601/601 S
GLASSWASHER

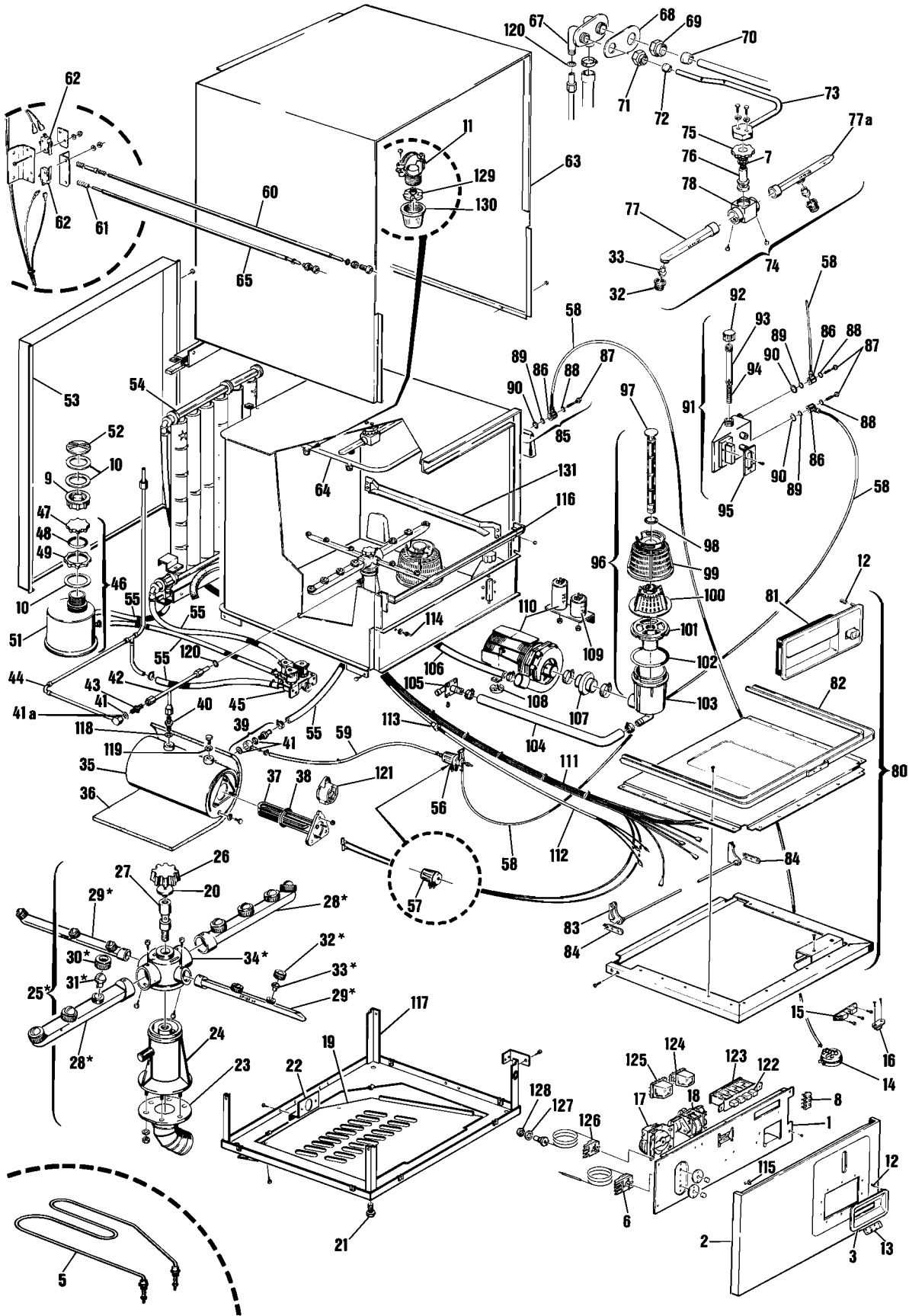
SPARE PARTS





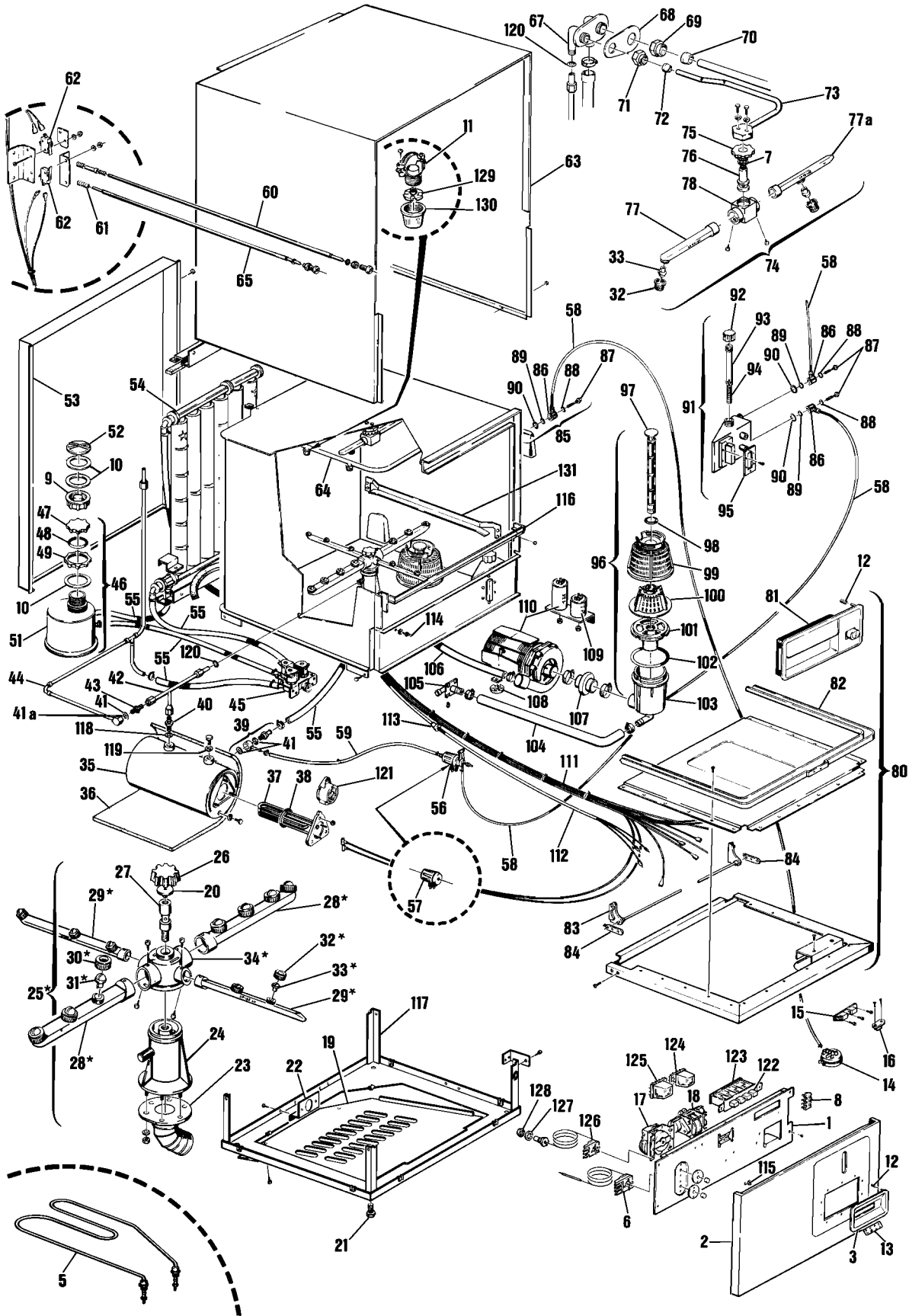
* in 25 inc

Ref.	Order-No.	
1	139 321-101	GW-600/601
	139 321-63	GW-600 S/601 S
2	139 321-240	
3	139 321-241	GW-600/601
	139 321-199	GW-600 S/601 S
5	139 321-26	2700 W, 240/50/1
	139 321-203	2000 W, 220/50/1
6	139 321-19	
7	139 321-61	
8	139 321-105	
9	139 321-217	
10	139 321-194	
11	139 321-96	
12	139 321-220	
13	139 321-223	GW-600/601
	139 321-224	GW-600 S/601 S
14	139 321-23	
15	139 321-24	
16	139 321-25	
17	139 321-225	30/ 90 sec. 220-240/50
	139 321-273	30/ 90 sec. 120/50
18	139 321-226	60/120 sec. 220-240/50
	139 321-274	60/120 sec. 120/50
	139 321-275	Resistor 120/50
	139 321-60	Micro-switch
19	139 321-106	
20	139 321-107	
21	139 321-108	
22	139 321-109	
23	139 321-110	
24	139 321-111	
25	139 321-112	
26	139 321-28	
27	139 321-113	
28	139 321-29-1	4 hole
	139 321-29-2	3 hole
29	139 321-30-1	3 hole
	139 321-30-2	2 hole
30	139 321-31	
31	139 321-32	
32	139 321-33	
33	139 321-34	
34	139 321-35	
35	139 321-114	
36	139 321-115	
37	139 321-246	3000 W, 220/50/1
	139 321-204	2500 W, 220/50/1
	139 321-36	2700 W, 240/50/1
38	139 321-37	
39	139 321-116	
40	139 321-117	
41	139 321-118	Copper gasket
41 a	139 321-155	Asbestos gasket
42	139 321-119	
43	139 321-120	
44	139 321-121	GW-600/600 S



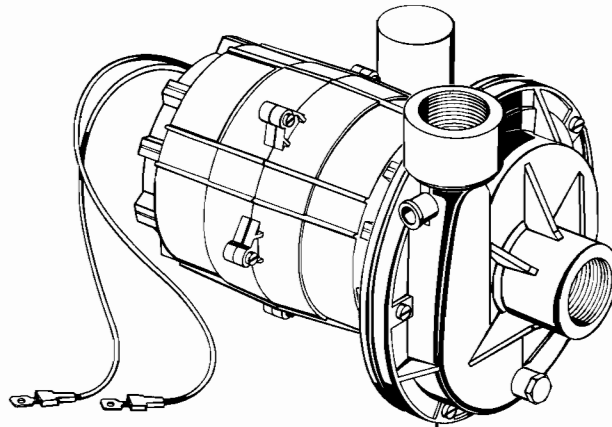
* in 25 inc

Ref.	Order-No.	
44	139 321-205	GW-601/601 S
45	139 321-65	2 way
	139 321-1	3 way
	139 321-67	Coil
	139 321-69	Strainer
46	139 321-122	
47	139 321-191	
48	139 321-192	
49	139 321-193	
51	139 321-195	
52	139 321-123	
53	139 321-238	GW-600/600 S
	139 321-244	GW-601/601 S
54	139 321-242	Old part number
	139 321-253	NEW from serial No. 3900 (not inter changeable with 139 321-242)
55	139 321-125	10 x 17 rinse/booster heater
	139 321-198	10 x 17 softener/salt receptacle
56	139 321-39	
57	139 321-40	
58	139 321-126	4 x 7
59	139 321-127	
60	139 321-128	
61	139 321-129	
62	139 321-41	
63	139 321-130	GW-600/600 S
	139 321-208	GW-601/601 S
64	139 321-131	
65	139 321-201	
67	139 321-132	
68	139 321-133	
69	139 321-134	
70	139 321-135	
71	139 321-136	
72	139 321-137	
73	139 321-138	
74	139 321-270	
75	139 321-214	
76	139 321-141	
77	139 321-272	
77 a	139 321-271	
78	139 321-45	
80	139 321-216	GW-600/600 S
	139 321-243	GW-601/601 S
81	139 321-227	
82	139 321-144	GW-600/600 S
	139 321-210	GW-601/601 S
83	139 321-266	right
	139 321-267	left
84	139 321-268	right
	139 321-269	left
85	139 321-47	
86	139 321-202	
87	139 321-180	
88	139 321-178	
89	139 321-178	
90	139 321-178	

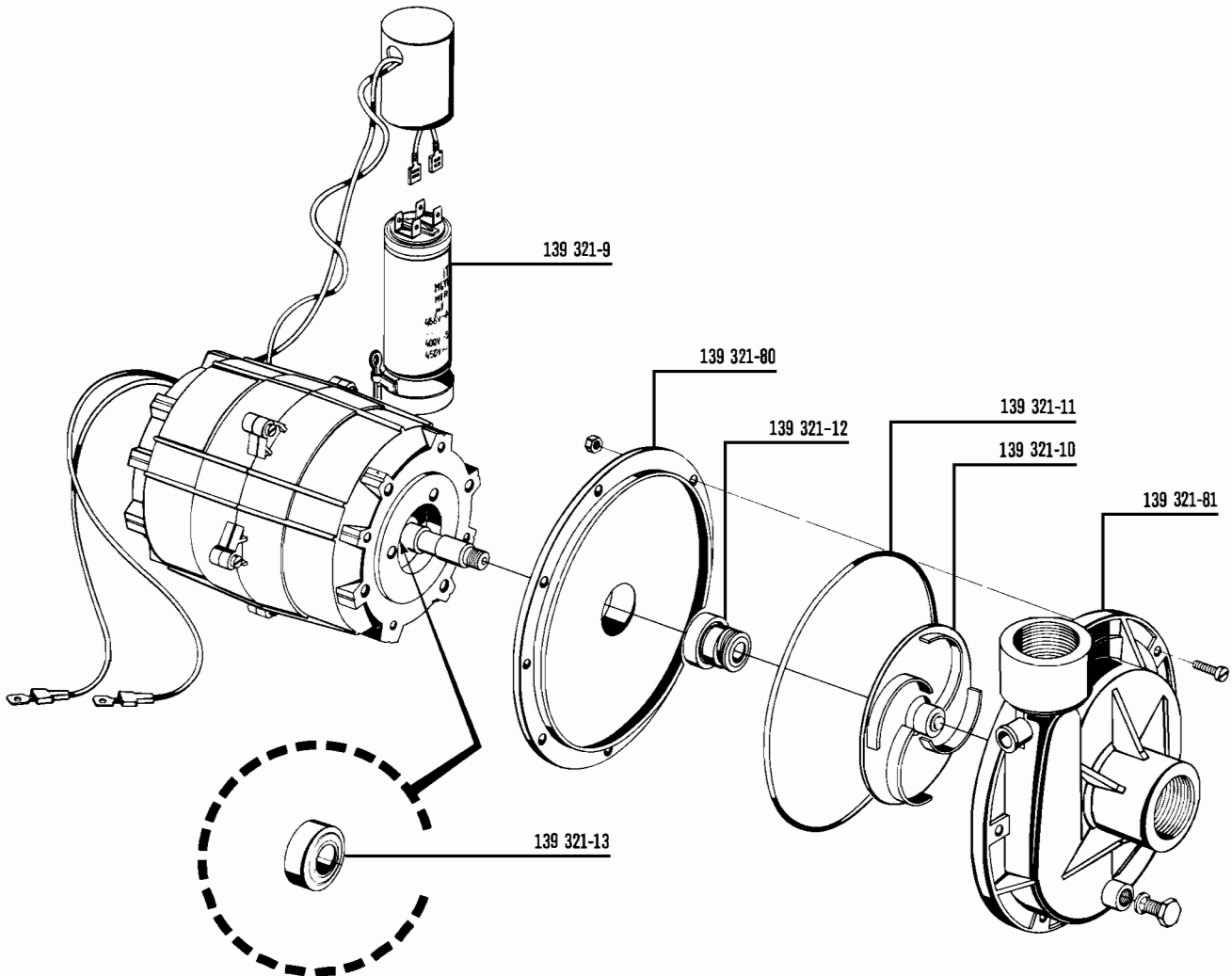


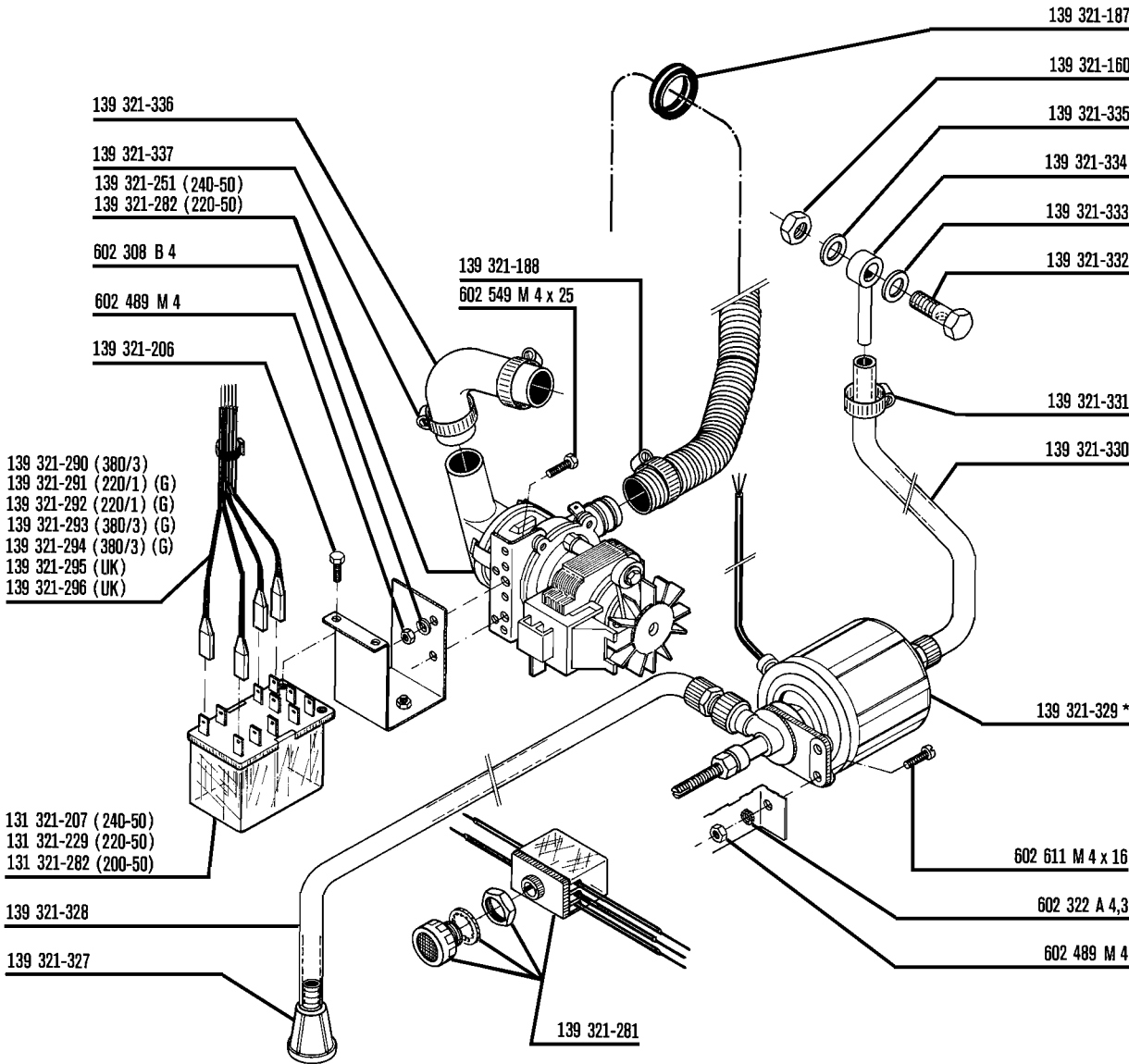
* in 25 inc

Ref.	Order-No.			
91	139 321-183			
92	139 321-48			
93	139 321-153			
94	139 321-154			
95	139 321-155			
96	139 321-156			
97	139 321-157			
98	139 321-49			
99	139 321-50			
100	139 321-51			
101	139 321-158			
102	139 321-52			
103	139 321-159			
104	139 321-160			
105	139 321-161			
106	139 321-162			
107	139 321-163			
108	139 321-164			
109	139 321-165			
110	139 321-62	220/50/1		
	139 321-8	240/50/1		
111	139 321-218	GW-600/601	220/50/1	Germany
	139 321-219	GW-600 S/601 S	220/50/1	Germany
	139 321-277	GW-600/601	220/50/1	France
	139 321-278	GW-600 S/601 S	220/50/1	France
	139 321-177	GW-601	240/50/1	
	139 321-176	GW-601 S	240/50/1	
	139 321-247	GW-601	380/50/3	
	139 321-248	GW-601 S	380/50/3	
112	139 321-181	220-240/50/1		
	139 321-249	380/50/3		
113	139 321-168			
114	139 321-169			
115	139 321-170			
116	139 321-171			
117	139 321-239			
118	139 321-173			
119	139 321-174			
120	139 321-175			
121	139 321-53			
122	139 321-228			
123	139 321-221	GW-600/601	3 push buttons (not engaging)	
	139 321-222	GW-600 S/601 S	4 push buttons (not engaging)	
	139 321-14	GW-600/601	3 push buttons (engaging)	
	139 321-15	GW-600 S/601 S	4 push buttons (engaging)	
124	139 321-229	220/50/1		
	139 321-207	240/50/1		
125	139 321-229	220/50/1		
	139 321-207	240/50/1		
126	139 321-20			
127	139 321-21			
128	139 321-22			
129	139 321-97			
130	139 321-98			
131	139 321-255			

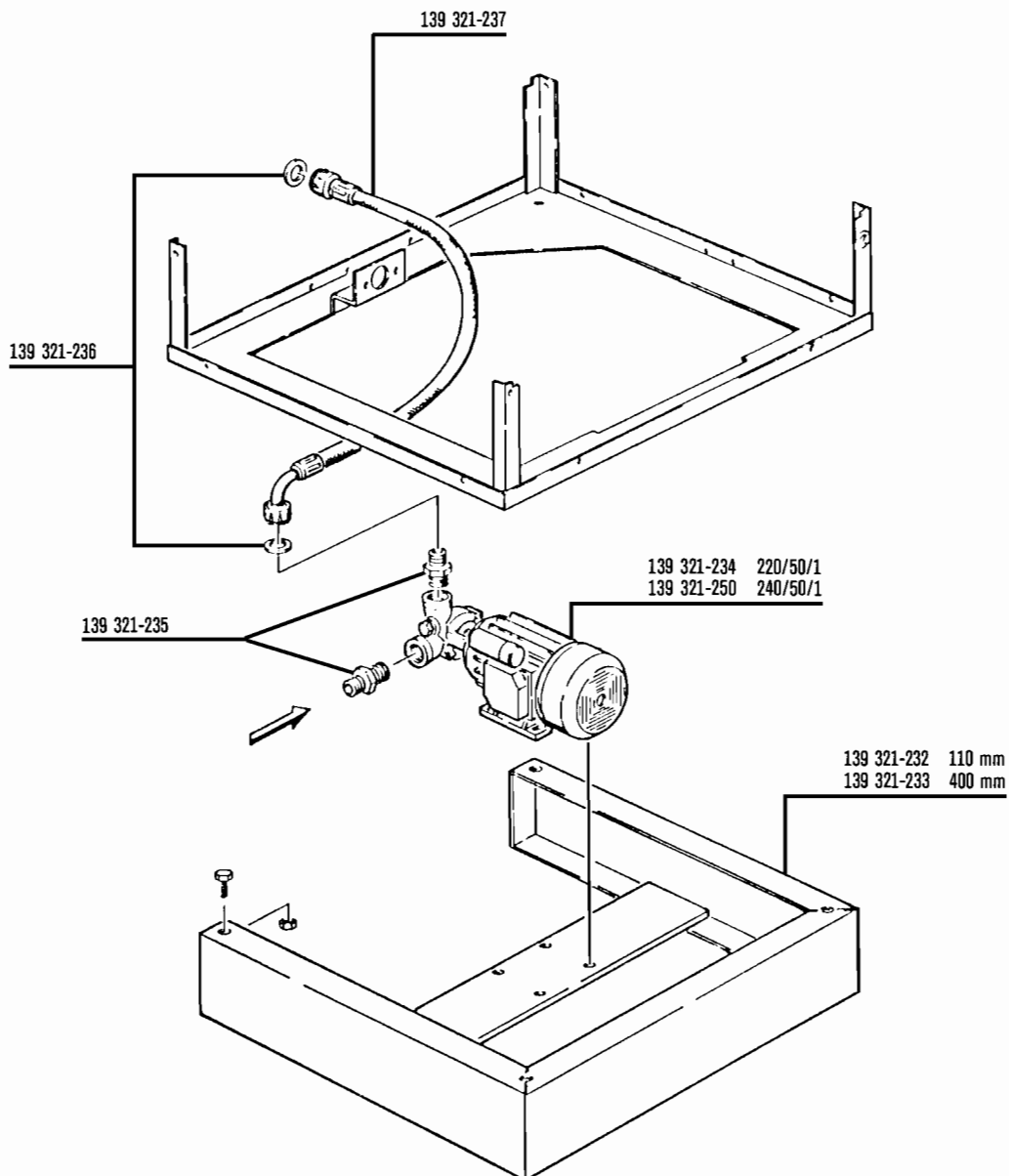
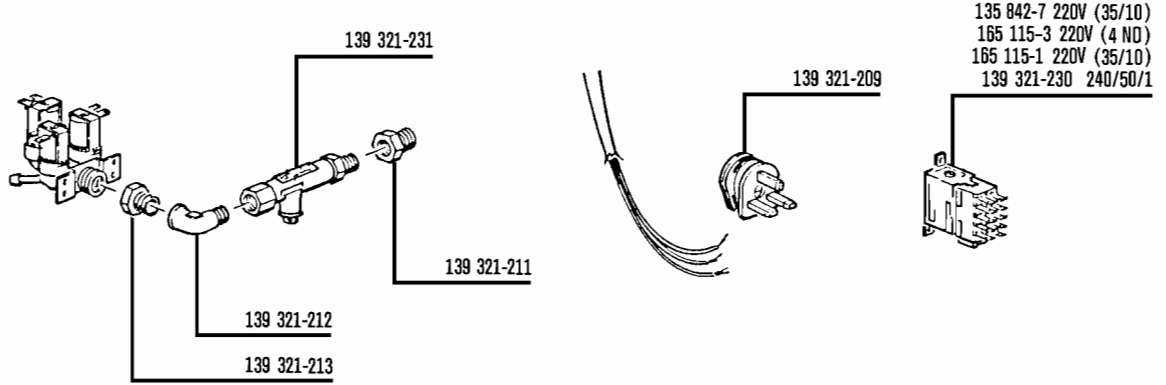


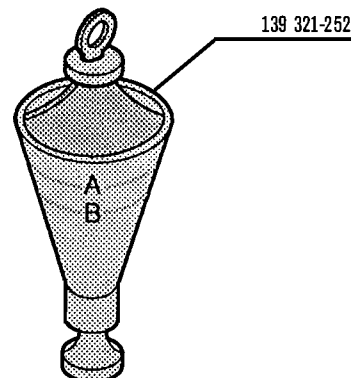
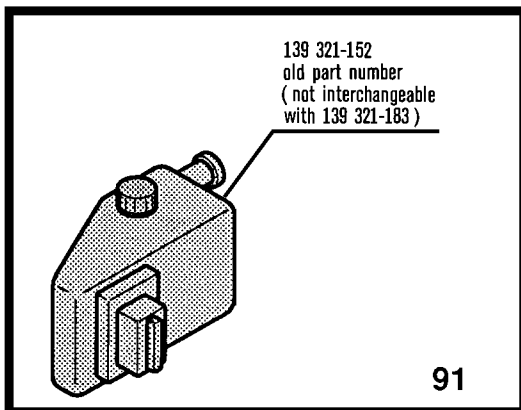
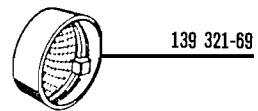
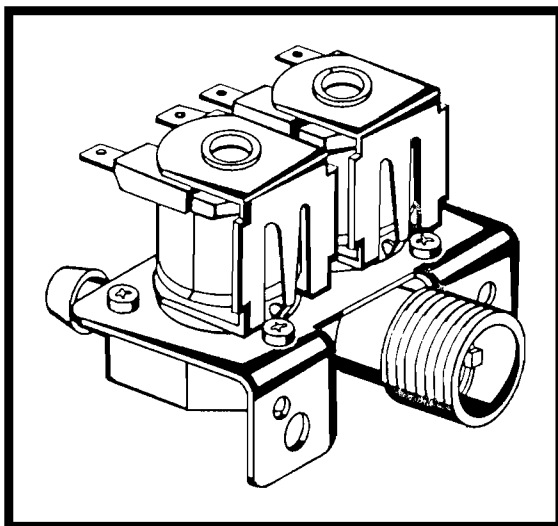
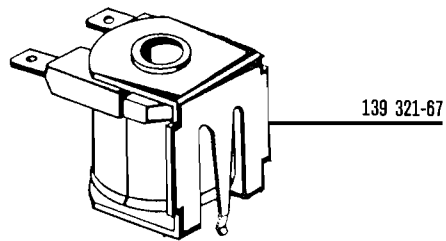
139 321-62 220/50/1
139 321-8 240/50/1



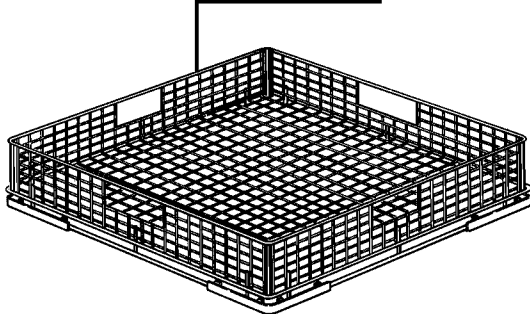


* identical with No. 297 891

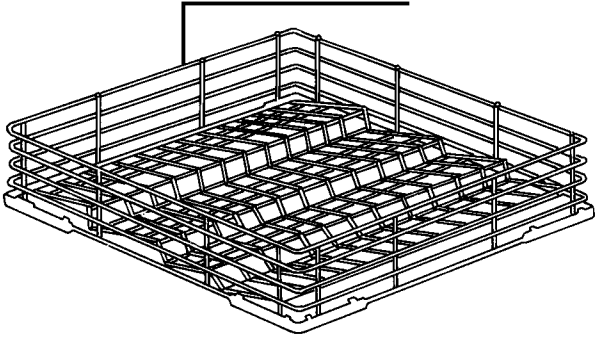




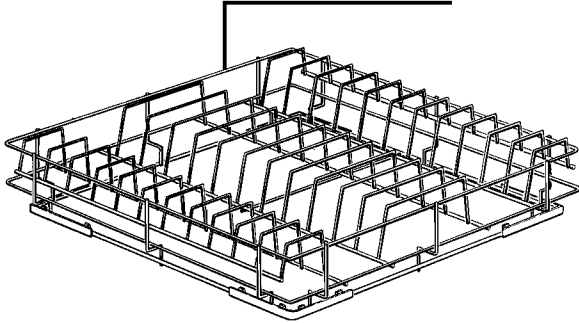
139 321-54
139 321-56



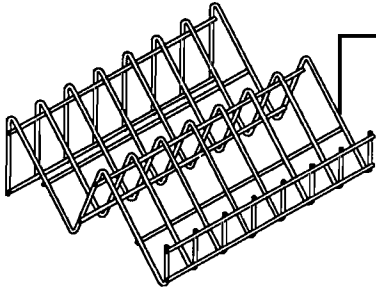
139 321-57 4 rows
139 321-58 3 rows



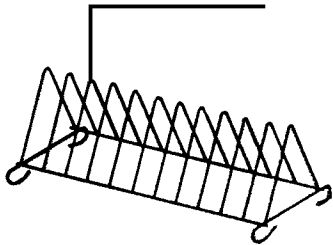
139 321-85
16 plates, ø max. 18 cm



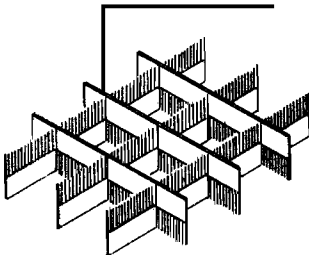
299 979



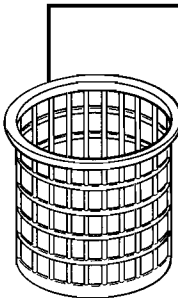
139 321-86



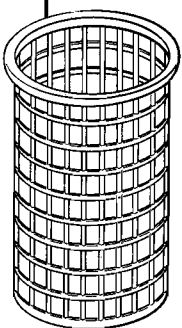
139 321-87



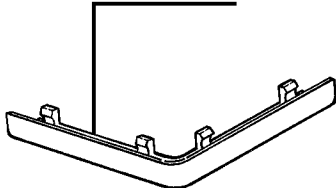
139 321-88



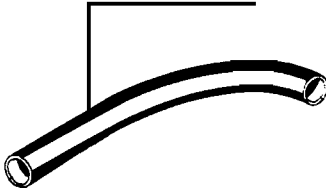
139 321-89



139 321-90



139 321-91 ø 25 mm



139 321-92 ¼"

